

RÜBIG SAFETY LINCHPIN

- drop forged shaft with safety catch
- 3rd hole for fixing the safety chain
- hardened to 1.200 – 1.400 N/mm²
- spring made from spring steel wire
- galvanized and thick film passivated

All minimum values required by DIN 11023 are considerably exceeded by all RÜBIG Safety Linchpins. Intermediate and special sizes are designed analogue.

RÜBIG Safety Linchpins									
size	order no.	d1 [mm] [Inch]	d2 [mm] [Inch]	l1 [mm] [Inch]	l2 [mm] [Inch]	b1 [mm] [Inch]	b2 [mm] [Inch]	opening force [N]	PU (pcs.) small / big
4x27	02380000	3,8 5/32	20 25/32	27 1-1/16	42 1-11/16	11 7/16	29 1-3/16	50 - 90	100 / 2000
5x32	02470000	4,7 3/16	25 31/32	32 1-1/4	48 1-7/8	11 7/16	34 1-3/8	50 - 90	100 / 2000
6x27	02580000	5,8 7/32	20 25/32	27 1-1/16	43 1-11/16	11 7/16	29 1-3/16	50 - 90	100 / 2000
6x42	02550000	5,5 7/32	32 1-1/4	42 1-5/8	63 2-1/4	13,5 9/16	49 1-15/16	80 - 130	100 / 1000
8x42	02750000	7,5 9/32	32 1-1/4	42 1-5/8	63 2-1/4	13,5 9/16	49 1-15/16	80 - 130	100 / 1000
8x55	02750100	7,5 9/32	45 1-25/32	55 2-3/16	72 2-13/16	15 9/16	59 2-5/16	80 - 130	50 / 500
8x62	02750200	7,5 9/32	53 2-3/32	62 2-7/16	83 3-1/4	20 13/16	69 2-5/8	80 - 130	50 / 500
10x45	02950000	9,5 3/8	32 1-1/4	45 1-3/4	62 2-7/16	15 9/16	49 1-15/16	80 - 130	100 / 1000

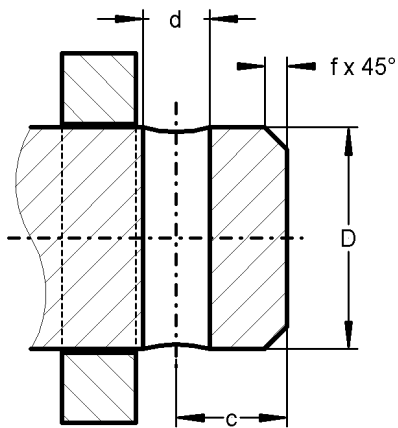


RÜBIG Safety Linchpins									
size	order no.	d1	d2	l1	l2	b1	b2	opening force [N]	PU(pcs.) small / big
		[mm] [Inch]	[mm] [Inch]	[mm] [Inch]	[mm] [Inch]	[mm] [Inch]	[mm] [Inch]		
10x55	02950200	9,5 3/8	45 1-25/32	55 2-3/16	72 2-13/16	15 9/16	59 2-5/16	80 - 130	50 / 500
10x65	02950300	9,5 3/8	53 2-3/32	65 2-9/16	85 3-3/8	21,5 13/16	67 2-5/8	80 - 130	50 / 500
10x100	02950600	9,5 3/8	80 3-5/32	100 3-15/16	124 4-7/8	25 31/32	100 3-15/16	80 - 130	-
12x45-	02110000	10,5 13/32	32 1-1/4	45 1-3/4	62 2-7/16	15 9/16	50 1-15/16	80 - 130	100 / 1000
12x55-	02110200	10,5 13/32	45 1-25/32	55 2-3/16	72 2-13/16	15 9/16	59 2-5/16	80 - 130	50 / 500
12x45+	02120000	11,5 7/16	32 1-1/4	45 1-3/4	62 2-7/16	15 9/16	50 1-15/16	80 - 130	100 / 1000
12x55+	02120200	11,5 7/16	45 1-25/32	55 2-3/16	72 2-13/16	15 9/16	59 2-5/16	80 - 130	50 / 500
12x65	02120300	11,5 7/16	53 2-3/32	65 2-9/16	85 3-3/8	21,5 13/16	67 2-5/8	80 - 130	50 / 500
12x75	02120400	11,5 7/16	60 2-3/8	75 2-15/16	95 3-3/4	21,5 7/8	81 3-1/16	80 - 130	30 / 300
12x100	02120600	11,5 7/16	80 3-5/32	100 3-15/16	124 4-7/8	25 31/32	100 3-15/16	80 - 130	-
17x60	02160000	15,5 5/8	53 1-25/32	60 2-3/8	80 3-5/16	20 13/16	67,5 2-5/16	80 - 130	50 / 500
17x75	02160200	15,5 5/8	60 2-3/8	75 2-15/16	95 3-3/4	21,5 7/8	81 3-1/16	80 - 130	30 / 300
17x100	02160400	15,5 5/8	80 3-5/32	100 3-15/16	124 4-7/8	25 31/32	100 3-15/16	80 - 130	-
17x125	02160800	15,5 5/8	105 4-1/8	125 4-29/32	155 6-3/32	30 1-3/16	132 5-3/16	80 - 130	-
20x150	02200150	19,5 25/32	125 4-29/32	150 5-29/32	195 7-11/16	44 1-3/4	150 5-29/32	80 - 130	-
20x175	02200175	19,5 25/32	150 5-29/32	175 6-7/8	220 8-21/32	44 1-3/4	175 6-7/8	80 - 130	-



Please note:

The largest bolt diameter, can be secured with the linch pins, listed, requires the bolt ends be designed in accordance with the standard. The series of dimensions according to DIN 11023 has been supplemented to suit the size range:



size(s)	D	d	c	f
4x27 / 6x27	20 0,79	4 / 6 0,16 / 0,24	6 0,24	2 0,08
5x32	25 1,0	5 0,20	8 0,31	2 0,08
5x42 / 6x42 / 8x42	32 1,25	5 / 6 / 8 0,2/0,24/0,31	10 0,39	2 0,08
8x62	53 2,09	8 0,31	12 0,47	3 0,12
10x45 / 12x45	32 1,25	10 / 12 0,39 / 0,47	14 / 16 0,55 / 0,63	3 0,12
8x55 / 10x55 / 12x55	45 1,77	8 / 10 / 12 0,31/0,39/0,47	12 / 14 / 16 0,47/0,55/0,63	3 0,12
10x65 / 12x65	53 2,09	10 / 12 0,39 / 0,47	14 / 16 0,55 / 0,63	4 0,16
12x75	60 2,36	12 0,47	17 0,67	5 0,20
10x100 / 12x100	80 3,15	10 / 12 0,39 / 0,47	18 0,71	6 0,24
17x60	45 1,77	17 0,69	21 0,83	6 0,24
17x75	60 2,36	17 0,69	21 0,83	6 0,24
17x100	80 3,15	17 0,69	21 0,83	6 0,24
17x125	100 3,94	17 0,69	21 0,83	6 0,24
20x150	125 4,92	20 0,79	25 0,98	8 0,31
4x27 / 6x27	20 0,79	4 / 6 0,16 / 0,24	6 0,24	2 0,08